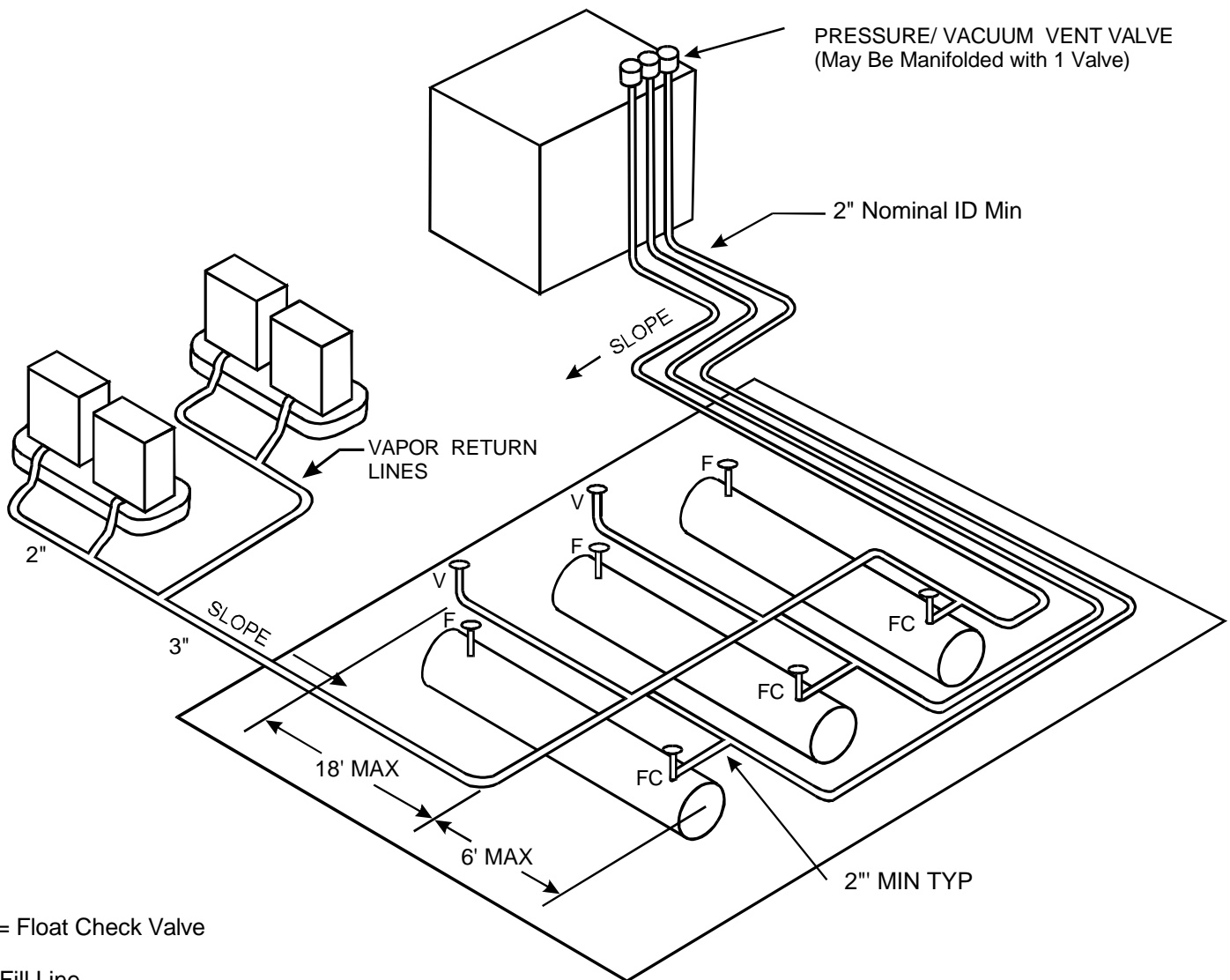


Executive Order G-70-153-AD

Exhibit 2

Figure 2A-4

Typical Installation of the Dresser Wayne WayneVac Phase II Vapor Recovery System



FC = Float Check Valve

F = Fill Line

V = Phase I Vapor Recovery

Note: 1. All Vapor/Vent Lines are 2" Nominal ID Minimum Except as Noted

2. Slope: 1/8" per foot Min.
1/4" per foot Preferred

3. Maintain 2'0" Clearance Between Fill Line and
Phase I Vapor Return Line to Delivery Truck